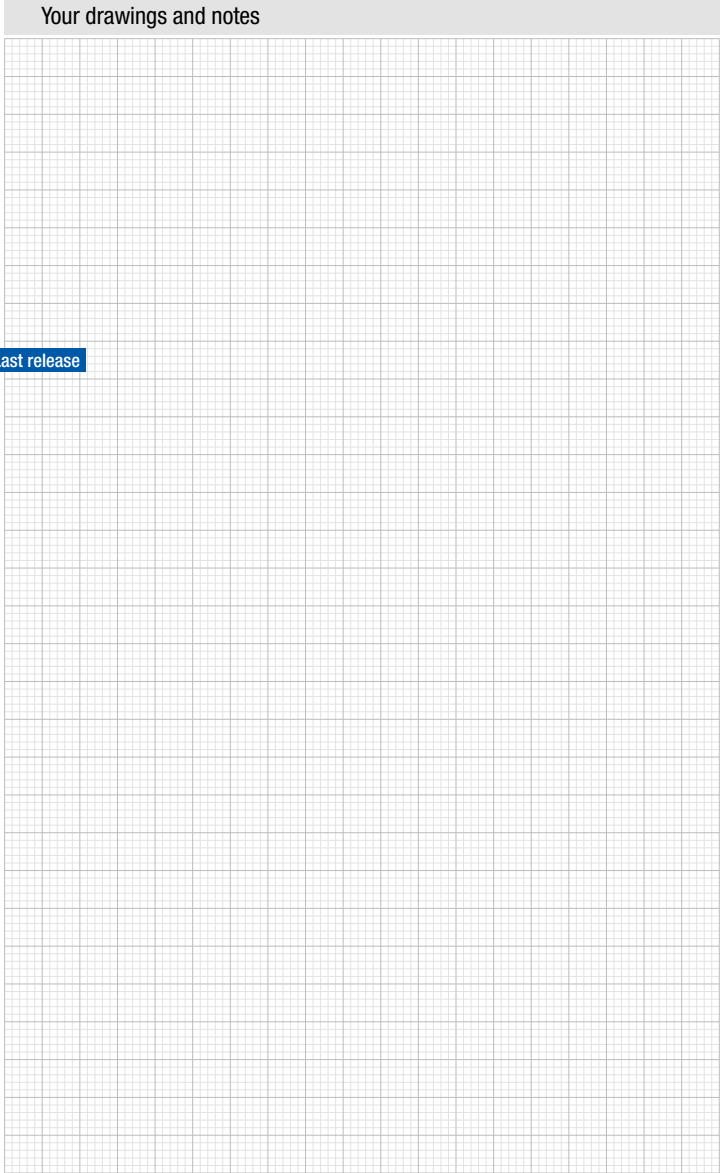


Last release



General data

| | |
|---------------------------------------|---|
| Dimensional class: | low |
| Standard colour: | black |
| Pitches: | metric 3.5, 5, 7, 10 mm (.138, .197, .276, .394 in) |
| PCB thickness: | max. 1.6 mm (.063 in) |
| PCB hole diameter for pin: | min. 1.1 mm (.043 in) |
| PCB hole diameter for peg: | 1.4 mm (.055 in) |
| Stripping length: | 8 mm (.315 in) |
| Operating temperature range | -40 °C ÷ +105 °C (-40 °F ÷ +221 °F) |
| Contact resistance: | <15 mΩ |
| Insulating material group: | I (CTI ≥ 600V) |
| Self-extinguishing class UL94: | V0 |
| Insulation resistance: | >10 ⁹ Ω (500V DC) |

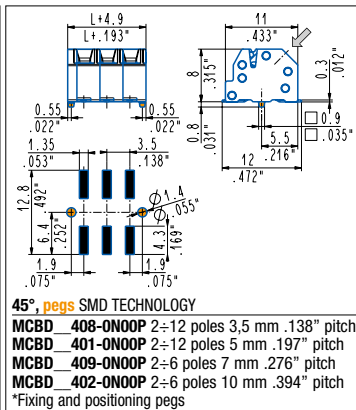
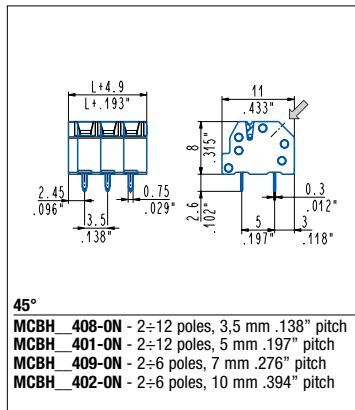
Certifications

UL (n. E167473)
 300 V - 8 A - 24÷16 AWG for 3.5 mm, 5 mm pitch
 300 V - 8 A - 24÷16 AWG for 7 mm, 10 mm pitch

Data according to

IEC EN 60947-7-4
 160 V (insulation voltage III/2) - 17.5 A - 1.5 mm² solid (13.5 A - 1 mm² stranded) for 3.5 mm
 320 V (insulation voltage III/2) - 17.5 A - 1.5 mm² solid (13.5 A - 1 mm² stranded) for 5 mm pitch
 630 V (insulation voltage III/2) - 17.5 A - 1.5 mm² solid (13.5 A - 1 mm² stranded) for 7 mm pitch
 1000 V (insulation voltage III/2) - 17.5 A - 1.5 mm² solid (13.5 A - 1 mm² stranded) for 10 mm pitch

Application values for end-use equipment have to be in accordance to norms and applicable to it.
 The certifications of some product's versions could be pending, for more detailed and updated data
 please refer to our web site www.sauro.net or your representative Sales Manager.





Headquarters & Warehouse

Elektrostraat 17
NL-7483 PG Haaksbergen
The Netherlands

T: +31 (0)53 573 33 33
E: info@texim-europe.com
Homepage: www.texim-europe.com



The Netherlands

Elektrostraat 17
NL-7483 PG Haaksbergen

T: +31 (0)53 573 33 33
E: nl@texim-europe.com



Belgium

Zuiderlaan 14, box 10
B-1731 Zellik

T: +32 (0)2 462 01 00
E: belgium@texim-europe.com



UK & Ireland

St Mary's House, Church Lane
Carlton Le Moorland
Lincoln LN5 9HS

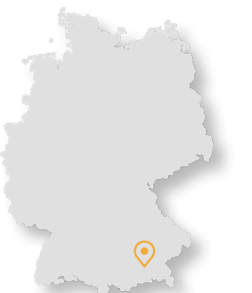
T: +44 (0)1522 789 555
E: uk@texim-europe.com



Germany - North

Bahnhofstrasse 92
D-25451 Quickborn

T: +49 (0)4106 627 07-0
E: germany@texim-europe.com



Germany - South

Martin-Kollar-Strasse 9
D-81829 München

T: +49 (0)89 436 086-0
E: muenchen@texim-europe.com



Austria

Warwitzstrasse 9
A-5020 Salzburg

T: +43 (0)662 216 026
E: austria@texim-europe.com



Nordic

Søndre Jagtvej 12
DK-2970 Hørsholm

T: +45 88 20 26 30
E: nordic@texim-europe.com



Italy

Via Matteotti 43
IT-20864 Agrate Brianza (MB)

T: +39 (0)39 9713293
E: italy@texim-europe.com