

Functional characteristics

Width of PCB:	100 mm - 107.5 mm (3.937 in - 4.232 in)
Support Type:	extruded
Standard Colour:	green
Thickness of PCB:	1.6 ÷ 2.8 mm (.063 ÷ .110 in)
Material:	PA6.6 and PVC (UL94-V0)

Description	Part-Number	Pcs/pack			
1 Central Body	STC107S_	50	11 High Lateral Element Without Rail Hook	STC107T073	100
	STC1072000	10	12 Protection Cover	STC107C_	50
	STC107L_	100		STC107D_	50
2 Left Lateral Element with Rail Hook	STC107TSX0	50	13 Screw for Head Fastening (L= 15 mm)	STC000V015	100
3 Right Lateral Element with Rail Hook	STC107TDX0	50	13 Screw for Head Fastening (L= 25 mm)	STC000V025	100
4 Head Without Rail Hook	STC107T000	100	14 Screw for Cover Fastening (L= 15 mm)	STC000VC15	100
5 DIN Rail Hook	STC107P011	100	15 Bracket for Mounting on the Wall	STC000F000	100
6 Left High Lateral Element with Rail Hook	STC107TS60	25	16 Size of STD Adapter for 3.937 in (100 mm) PCB	STC107A039	50
7 Left High Lateral Element with Rail Hook	STC107TS73	25			
8 Right High Lateral Element with Rail Hook	STC107TD60	25			
9 Right High Lateral Element with Rail Hook	STC107TD73	25			
10 High Lateral Element Without Rail Hook	STC107T060	100			

1

Custom Sized Cut Profile

For a Custom Sized Cut Profile, the length of the Central Body must be equal to the length of the PCB minus 3.5 mm (.138 inch). It's advised to round off the figure to the higher whole number. The length of the support, including the Lateral Elements, is equal to the length of the Profile plus 6 mm (.236 inch).

Example

For PCB		Cut Profile sizes L		Support Length		Part-Number	Pcs / pack
(mm)	(in)	(mm)	(in)	(mm)	(in)		
38.50	1.516	35,00	1.378	41.00	1.614	STC107S035	50
55.00	2.165	51,50	2.028	57.50	2.264	STC107S051	50
73.50	2.894	70,00	2.756	76.00	2.992	STC107S070	50
-----	-----	Profile for PCB with L = 2 m (78.740 in)		-----	-----	STC1072000	10
L + 3.5	L +.137	Custom		L + 6	L +.236	STC107L_ _ _	100

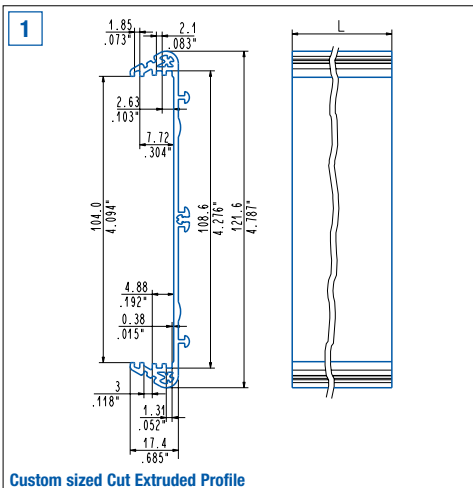
12

Custom sized Protection Cover

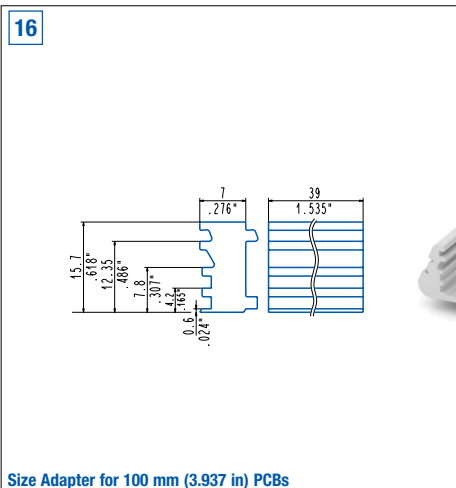
For Custom sized Protection Cover, length of the piece must be equal to the corresponding length of the Profile, that is the length of the PCB minus 3.5 mm (.137 in). It's advised to round off the figure to the higher whole number. The Length of the Support, including the Lateral Elements, is equal to the Length of the Profile plus 6 mm (.236 in).

Example

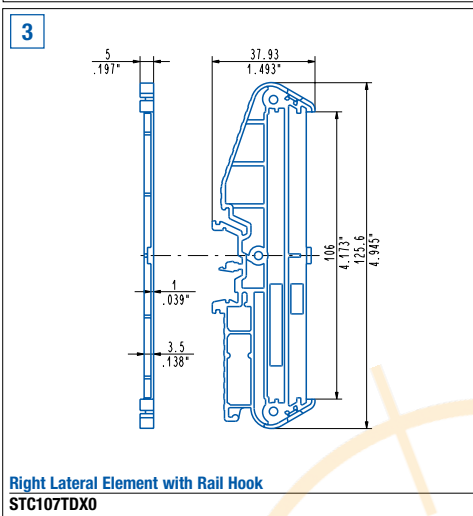
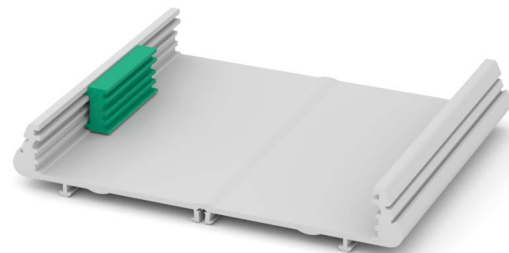
L		Part-Number	Pcs / pack	For PCB		Support Length	
				(mm)	(in)	(mm)	(in)
Custom size	for 60 mm (2.362 in) Protection Cover	STC107C_	50	L + 3.5	L +.137	L + 6	L +.236
70 mm (2.756 in)	for 60 mm (2.362 in) Protection Cover	STC107C070	50	73.5	2.893	76	2.992
Custom size	for 73 mm (2.874 in) Protection Cover	STC107D_	50	L + 3.5	L +.137	L + 6	L +.236
70 mm (2.756 in)	for 73 mm (2.874 in) Protection Cover	STC107D070	50	73.5	2.893	75	2.992



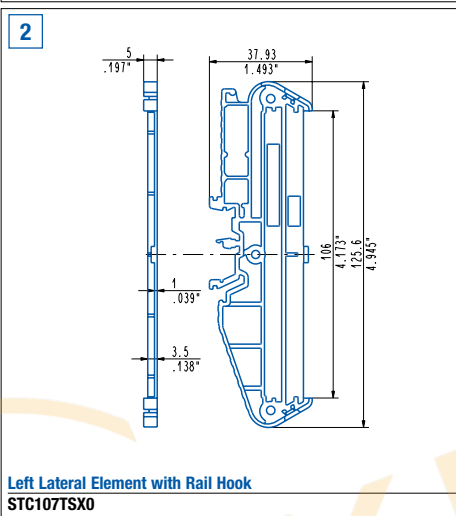
Custom sized Cut Extruded Profile
STC107S __, STC1072000, STC107L _ _ _



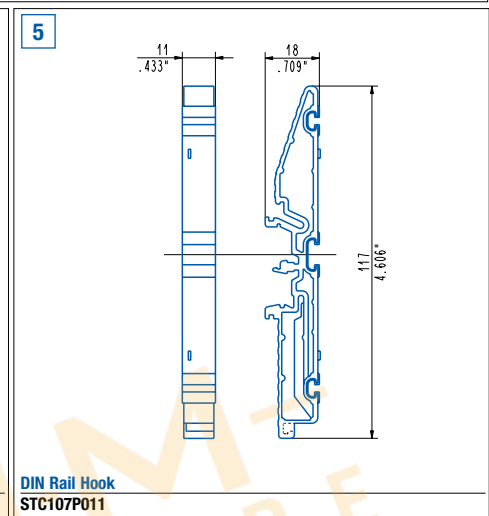
Size Adapter for 100 mm (3.937 in) PCBs
STC107A039



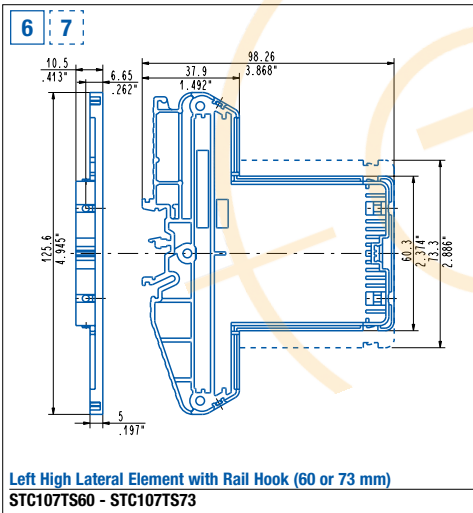
Right Lateral Element with Rail Hook
STC107DX0



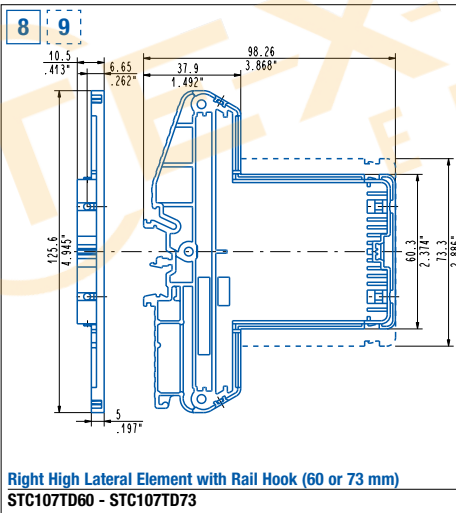
Left Lateral Element with Rail Hook
STC107SX0



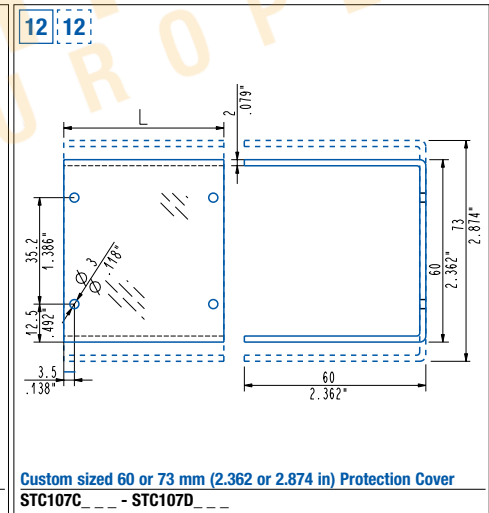
DIN Rail Hook
STC107P011



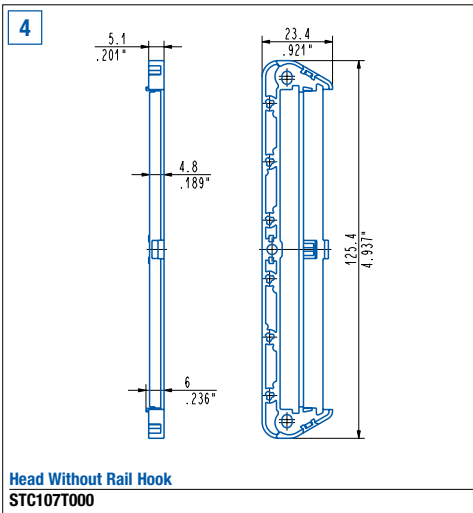
Left High Lateral Element with Rail Hook (60 or 73 mm)
STC107TS60 - STC107TS73



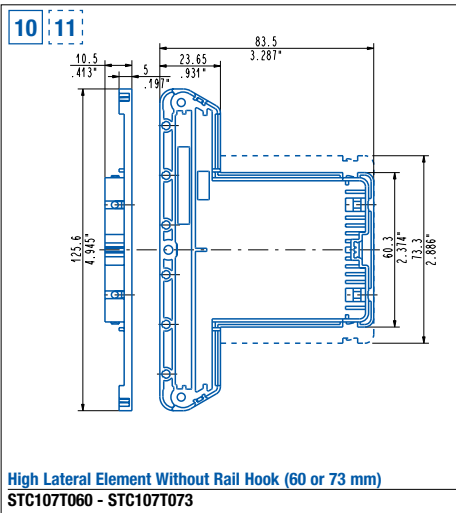
Right High Lateral Element with Rail Hook (60 or 73 mm)
STC107TD60 - STC107TD73



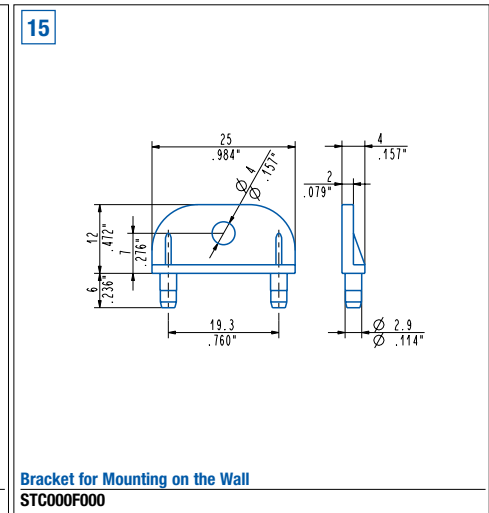
Custom sized 60 or 73 mm (2.362 or 2.874 in) Protection Cover
STC107C _ _ - STC107D _ _ _



Head Without Rail Hook
STC107T000



High Lateral Element Without Rail Hook (60 or 73 mm)
STC107T060 - STC107T073



Bracket for Mounting on the Wall
STC000F000

Disclaimer

ALL PRODUCTS, PRODUCT SPECIFICATIONS AND DATA ARE SUBJECT TO CHANGE WITHOUT NOTICE TO IMPROVE RELIABILITY, FUNCTION OR DESIGN OR OTHERWISE.

Texim Europe B.V. its affiliates, agents, and employees, and all persons acting on its or their behalf (collectively, "Texim"), disclaim any and all liability for any errors, inaccuracies or incompleteness contained in any datasheet or in any other disclosure relating to any product.

Texim makes no warranty, representation or guarantee regarding the suitability of the products for any particular purpose or the continuing production of any product.

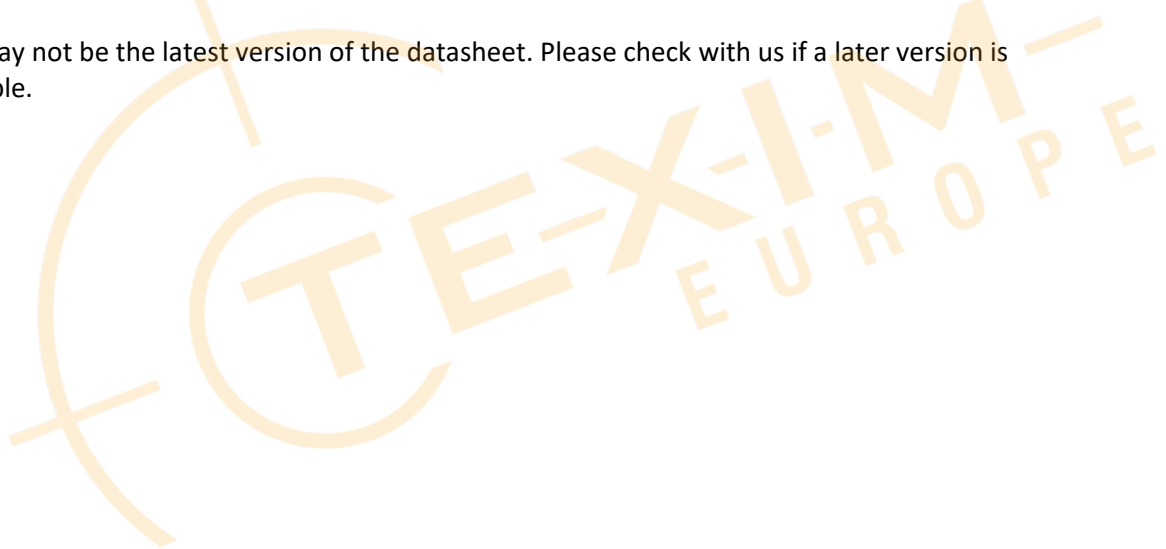
It is the customer's responsibility to validate that a particular product with the properties described in the product specification is suitable for use in a particular application.

Parameters provided in datasheets and / or specifications may vary in different applications and performance may vary over time.

All operating parameters, including typical parameters, must be validated for each customer application by the customer's technical experts.

Please contact us if you have any questions about the contents of the datasheet.

This may not be the latest version of the datasheet. Please check with us if a later version is available.





Headquarters & Warehouse

Elektrostraat 17
 NL-7483 PG Haaksbergen
 The Netherlands

T: +31 (0)53 573 33 33
 E: info@texim-europe.com
 Homepage: www.texim-europe.com



The Netherlands

Elektrostraat 17
 NL-7483 PG Haaksbergen

T: +31 (0)53 573 33 33
 E: nl@texim-europe.com



Belgium

Zuiderlaan 14, box 10
 B-1731 Zellik

T: +32 (0)2 462 01 00
 E: belgium@texim-europe.com



UK & Ireland

St Mary's House, Church Lane
 Carlton Le Moorland
 Lincoln LN5 9HS

T: +44 (0)1522 789 555
 E: uk@texim-europe.com



Germany - North

Bahnhofstrasse 92
 D-25451 Quickborn

T: +49 (0)4106 627 07-0
 E: germany@texim-europe.com



Germany - South

Martin-Kollar-Strasse 9
 D-81829 München

T: +49 (0)89 436 086-0
 E: muenchen@texim-europe.com



Austria

Warwitzstrasse 9
 A-5020 Salzburg

T: +43 (0)662 216 026
 E: austria@texim-europe.com



Nordic

Stockholmsgade 45
 2100 Copenhagen

T: +45 88 20 26 30
 E: nordic@texim-europe.com



Italy

Martin-Kollar-Strasse 9
 D-81829 München

T: +49 (0)89 436 086-0
 E: italy@texim-europe.com