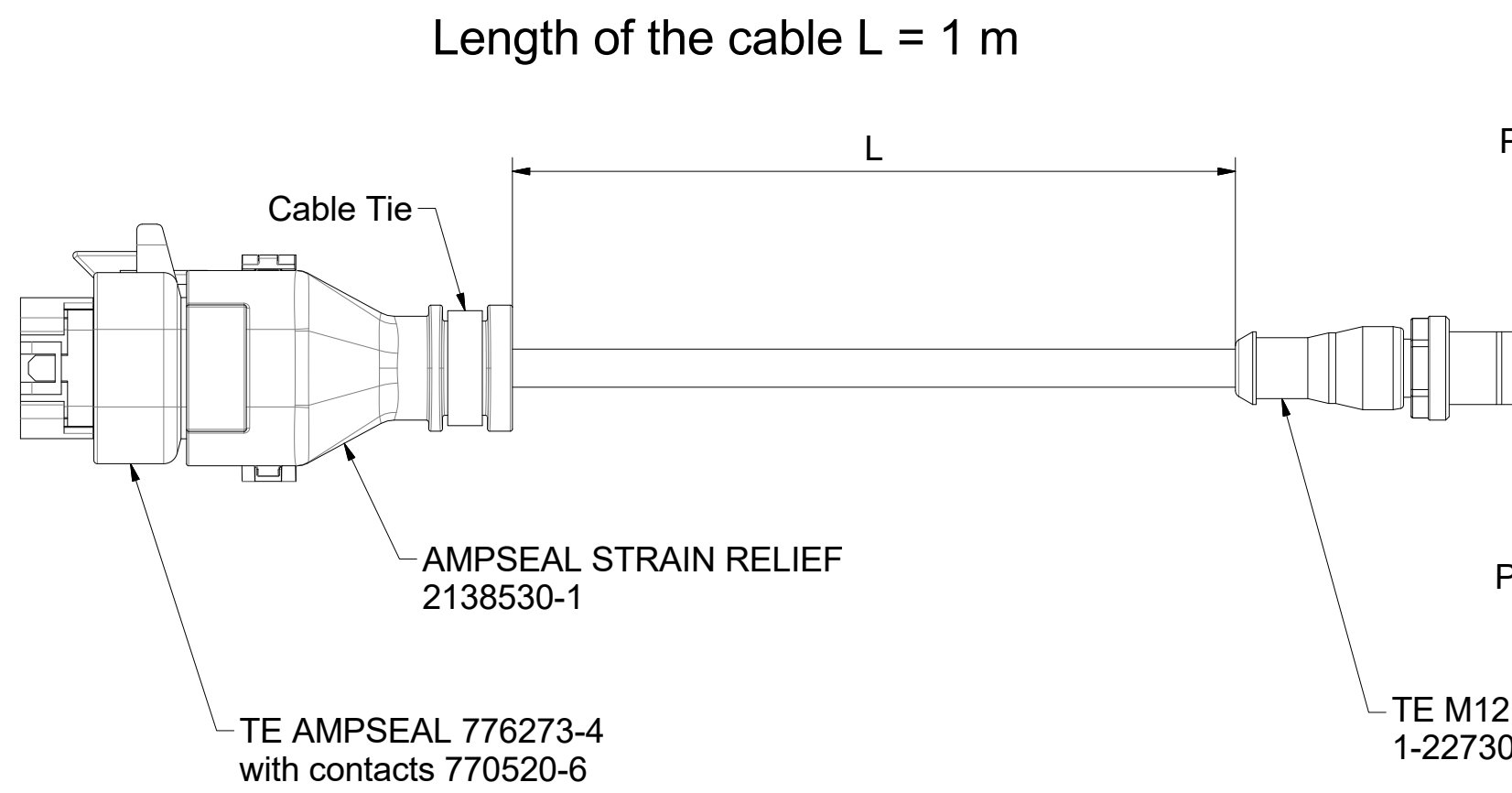
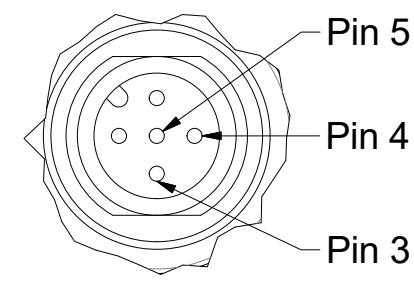
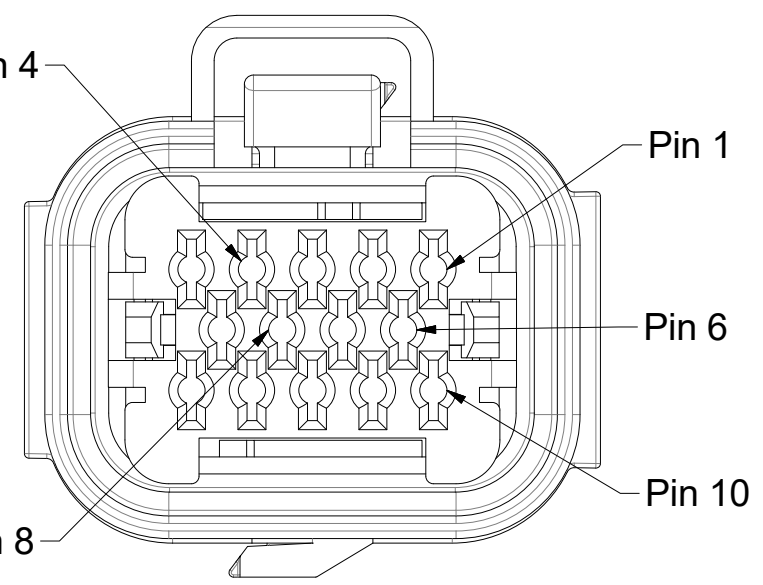


**A (2:1)
TE M12**



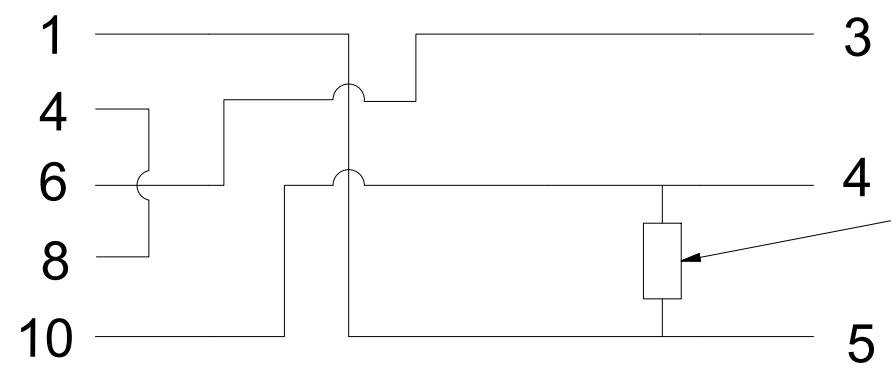
**(2:1)
TE AMPSEAL**



**TE M12 Cable Assembly
1-2273034-1 or equivalent**

AMPSEAL PIN#

M12 Pin#



**120 Ohm resistor
e.g. TE LR1F120R**

Notes:

- Part must be RoHS and REACH compliant
- Material to be UL grade material

Freigegeben

03	Crimp contacts article number corrected from 770520-1 to 770520-6; Notes added.	25.09.2024	Appuraj, V.
02	Remarks added for Pin 4 and 8 for information; Cable length changed to 1m from 1,5m.	02.07.2024	Halbmeyer, M.
01	Designation changed from ASB Charging cable.	02.07.2024	Appuraj, V.
Index	Änderung / Alteration	Date	Name
Projection:	Freimaßtoleranzen Generaltolerances	Diese Maße werden besonders geprüft This dimensions are considered inspectable	
Maße in mm All dimensions in mm	up to 6 ± 0,1	Maßstab / Scale 1:1 (2:1)	
Als Betriebsgeheimnis anvertraut, alle Rechte vorbehalten.	over 6 up to 30 ± 0,2	Material	
Proprietary data, company confidential, all rights reserved.	over 30 up to 100 ± 0,3	Benennung / Designation	
	over 100 ± 0,5	Easy Charger communication cable	
VARTA		Format	Status Index
		3	4 03
Origin:		repl.f.:	Alloc.:
		repl.by:	